

WINDOW EXTERIOR VIEW
 SYSTEM TYPE W62/W72 (THERMAL WINDOW DOOR SYSTEM)
 WINDOW TYPE TILT & TURN
 OPERATION OPEN IN
 EXTERIOR COLOR TBD
 INTERIOR COLOR TBD
 GLAZING 1" IGU CLEAR TEMPERED WITH LOW E

WINDOW HARDWARE SCHEDULE (TYP)
 Scale: 1-1/2"=1'-0"

PROJECT INFO

ADDRESS:

CLIENT:

ARCHITECT:

STRUCTURAL ENGINEER:

MECHANICAL ENGINEER:

SHOP DRAWINGS

PREPARED BY:

REVIEWED BY:

REVISIONS:

DATE	REVISION	#

DRAWING DATE:

DRAWN BY:

DRAWING TITLE:
 WINDOW HARDWARE SCHEDULE

DRAWING NUMBER:
G-600

PROJECT INFO

ADDRESS:

CLIENT:

ARCHITECT:

STRUCTURAL ENGINEER:

MECHANICAL ENGINEER:

SHOP DRAWINGS

PREPARED BY:

REVIEWED BY:

REVISIONS:

DATE	REVISION	#

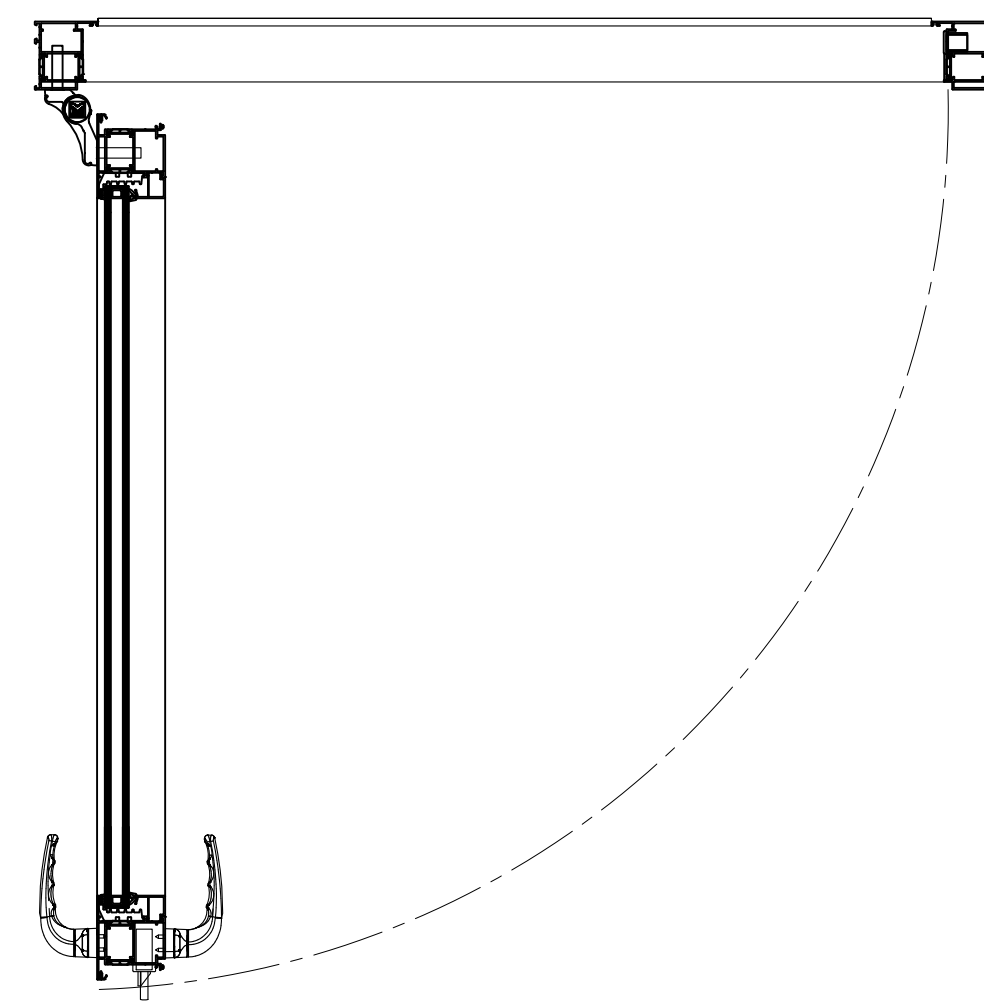
DRAWING DATE:

DRAWN BY:

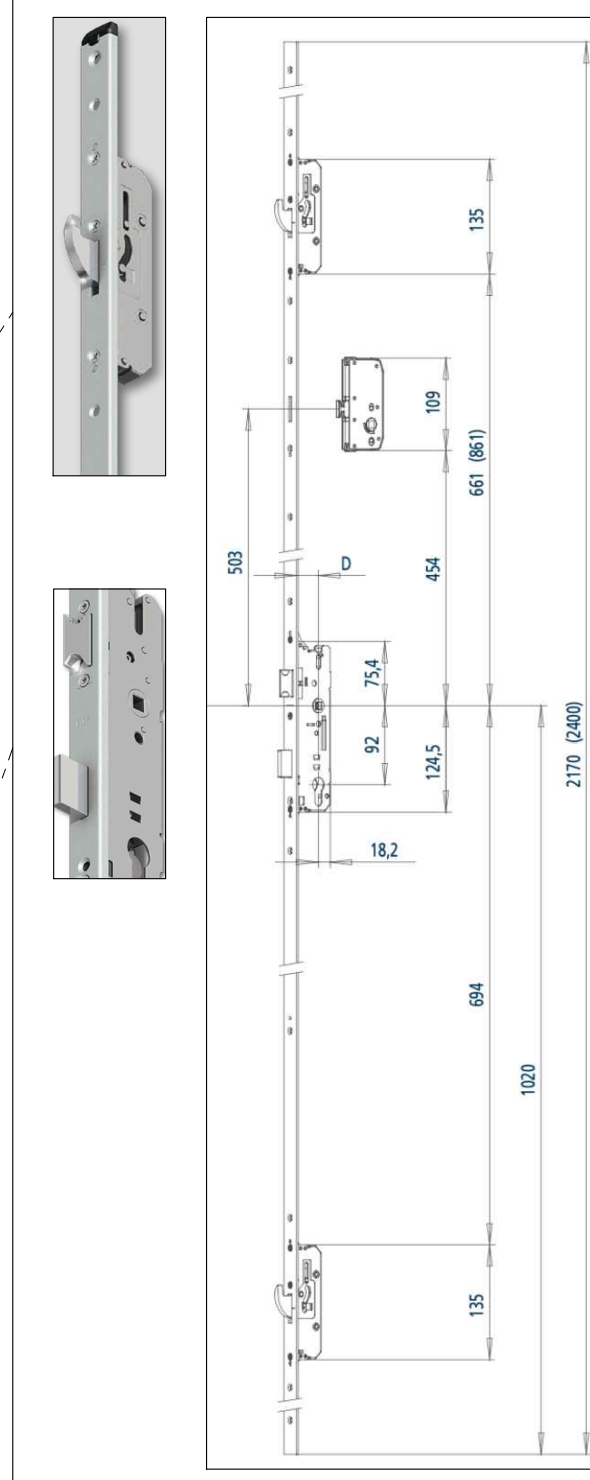
DRAWING TITLE:
DOOR HARDWARE SCHEDULE

DRAWING NUMBER:

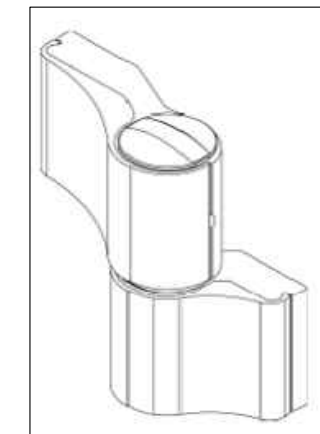
G-601



Fuhr
Multipoint lock
Art.: M9352654NJ



Stublina
Double section hinge
Art.: 2AH67/ 2AN92
RAL 9016/ RAL 9005



Stublina
Lever handle
Art.: 1032



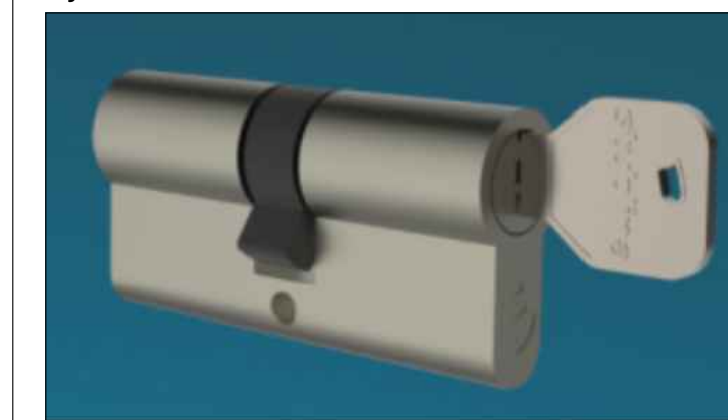
RAL 9016



RAL 9005

STUBLINA

Cylinder 31/51 Art. 5056.00
Cylinder 35/55 Art. 5061.00



Cylinder with butterfly 31/51 Art. 5604.00
Cylinder with butterfly 35/55 Art. 5623.00



DOOR EXTERIOR VIEW
SYSTEM TYPE W62/W72 (THERMAL WINDOW DOOR SYSTEM)
DOOR TYPE SINGLE SWING
OPERATION OPEN OUT
EXTERIOR COLOR TBD
INTERIOR COLOR TBD
GLAZING 1" IGU CLEAR TEMPERED WITH LOW E

DOOR HARDWARE SCHEDULE (TYP)

Scale: 1-1/2"=1'-0"

HAUTAU
Lever handle

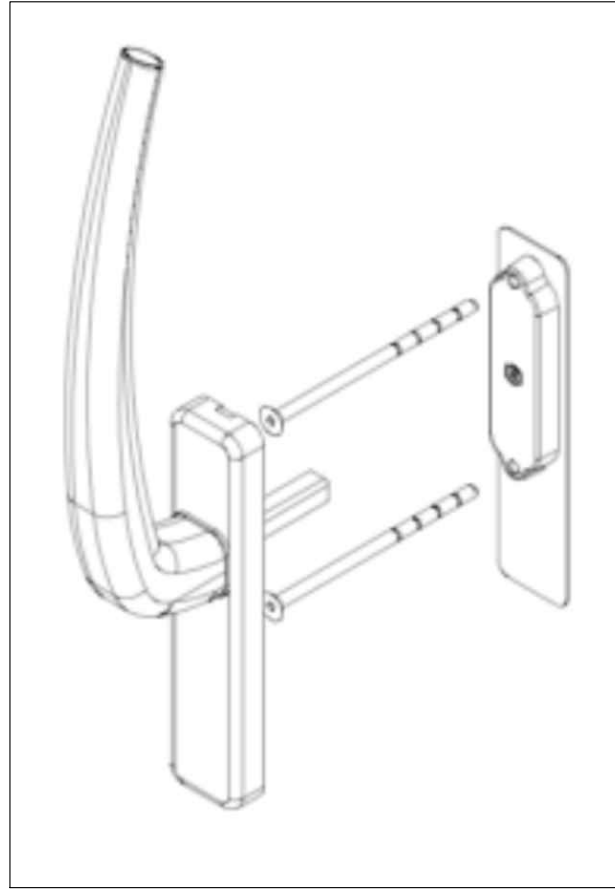
RAL 9016



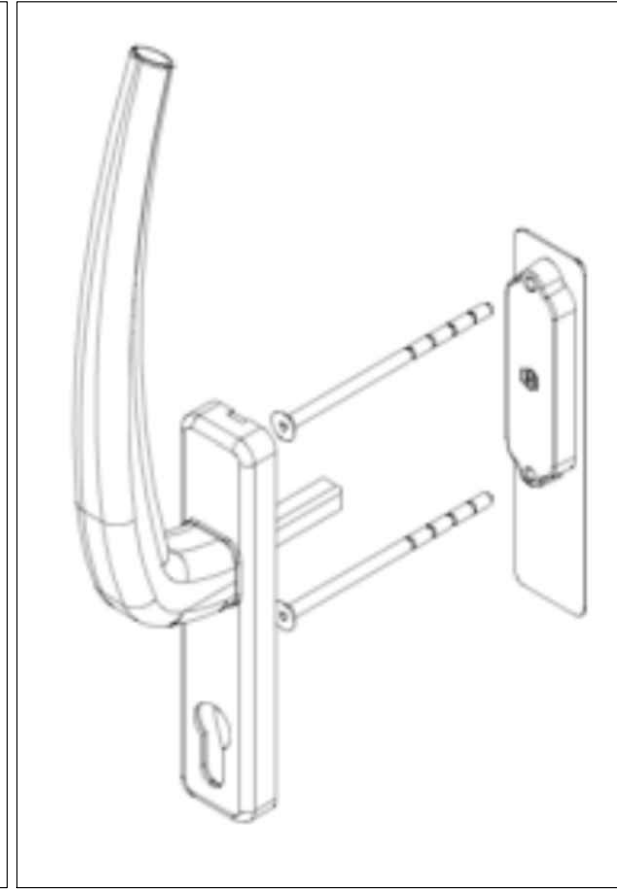
RAL 9005



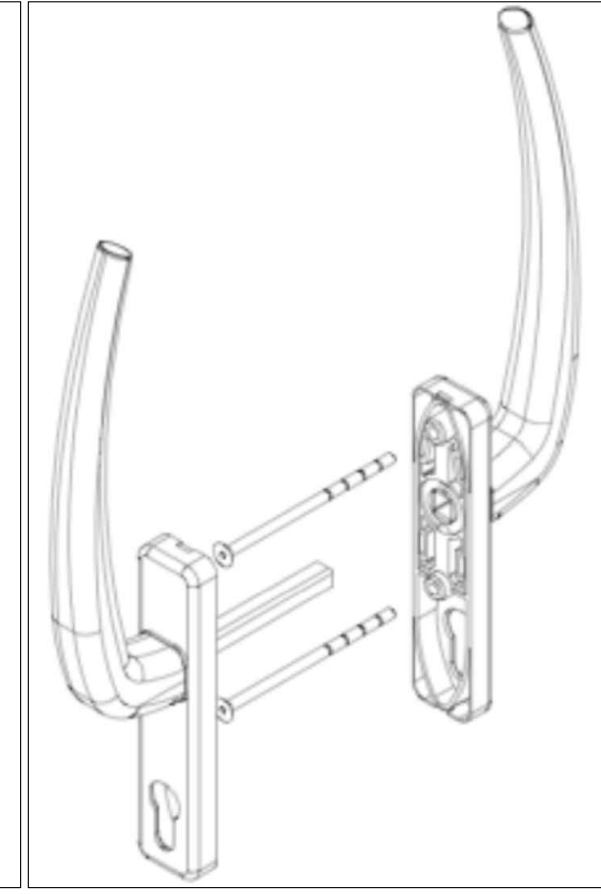
RAL 9016
Art. 234410
RAL 9005
Art. 234416



RAL 9016
Art. 234431
RAL 9005
Art. 234437

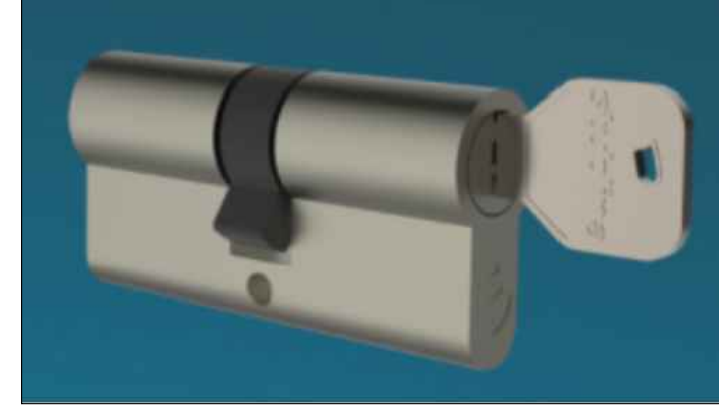


RAL 9016
Art. 185179
RAL 9005
Art. 193621

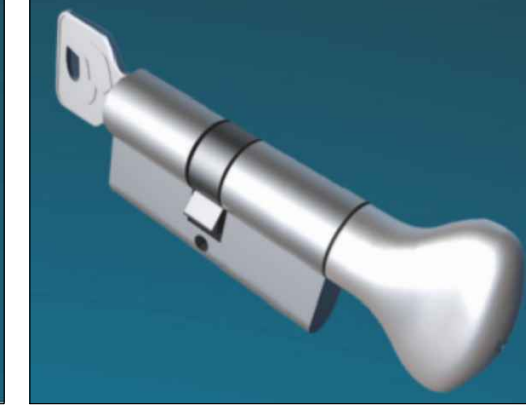


STUBLINA

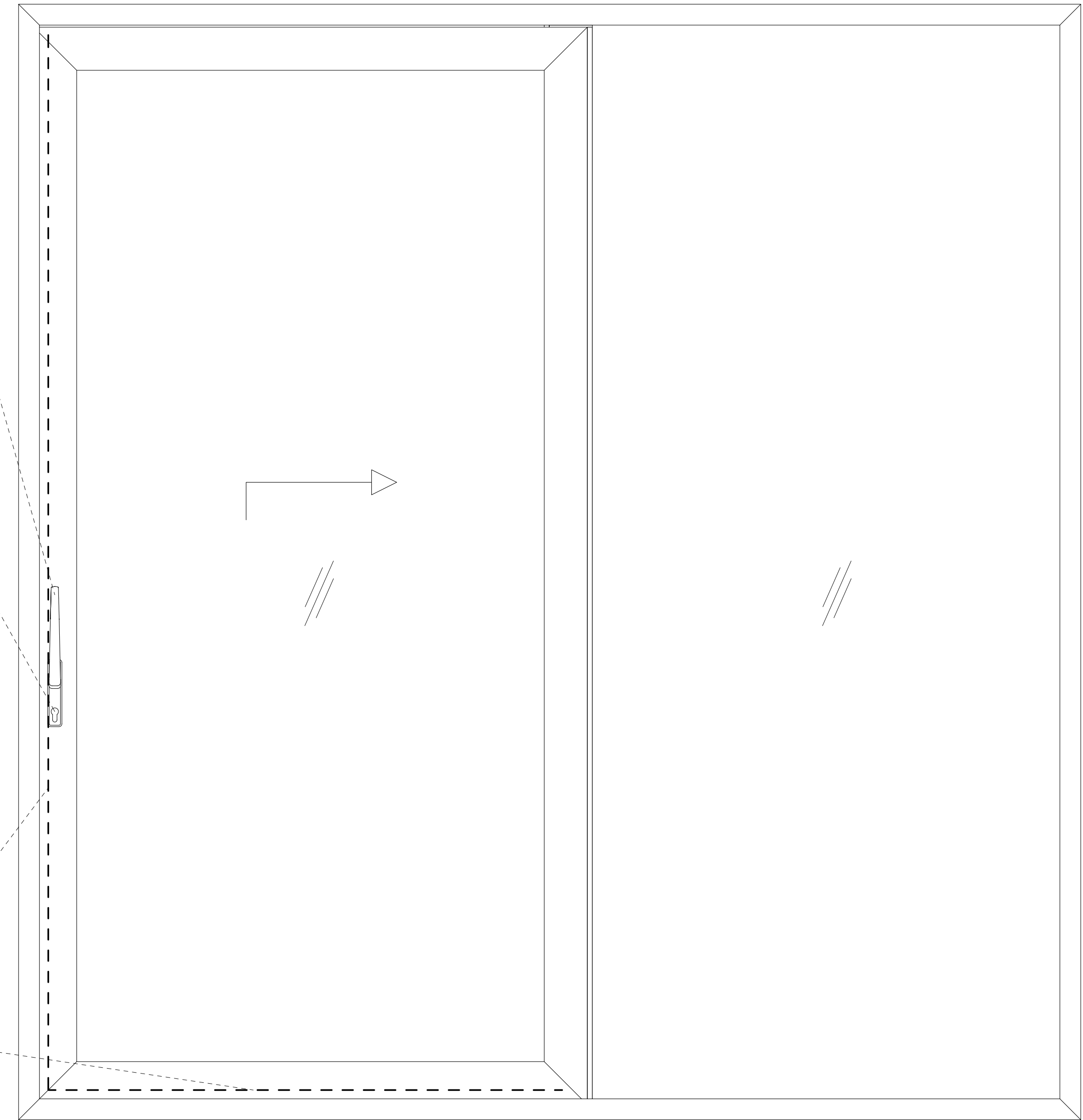
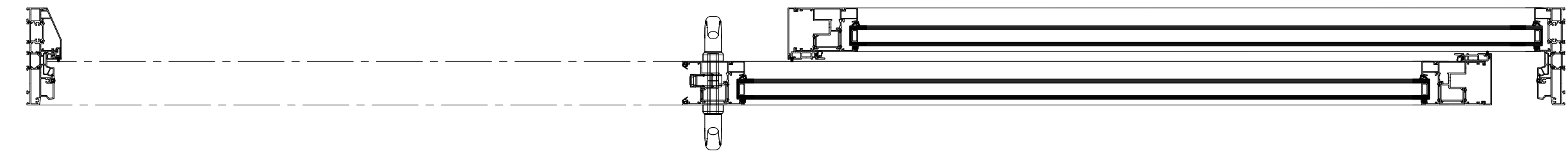
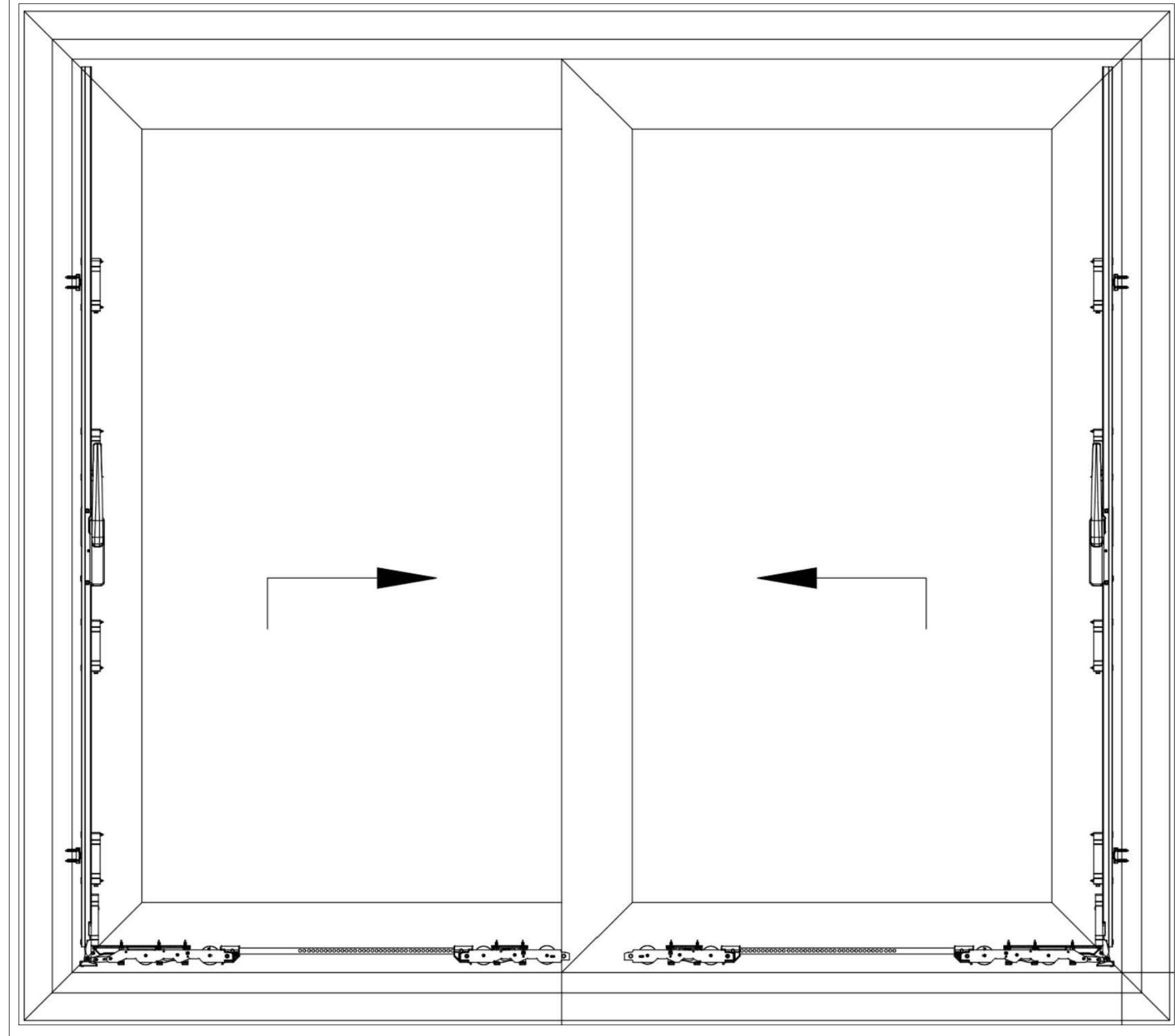
Cylinder 31/51 Art. 5056.00
Cylinder 35/55 Art. 5061.00



Cylinder with butterfly 31/51 Art. 5604.00
Cylinder with butterfly 35/55 Art. 5623.00



HAUTAU
Sliding door hardware set
Art.: 184307, 190327, 184758, 302326



DOOR EXTERIOR VIEW
SYSTEM TYPE SL160 (SLIDING DOOR SYSTEM)
DOOR TYPE LIFT & SLIDE/ FIXED
OPERATION OPEN FROM LEFT TO RIGHT
EXTERIOR COLOR TBD
INTERIOR COLOR TBD
GLAZING 1" IGU CLEAR TEMPERED WITH LOW E

DOOR HARDWARE SCHEDULE (TYP)
Scale: 1-1/2"=1'-0"

PROJECT INFO

ADDRESS:

CLIENT:

ARCHITECT:

STRUCTURAL ENGINEER:

MECHANICAL ENGINEER:

SHOP DRAWINGS

PREPARED BY:

REVIEWED BY:

REVISIONS:

DATE	REVISION	#

DRAWING DATE:

DRAWN BY:

DRAWING TITLE:
DOOR HARDWARE SCHEDULE

DRAWING NUMBER:
G-602

